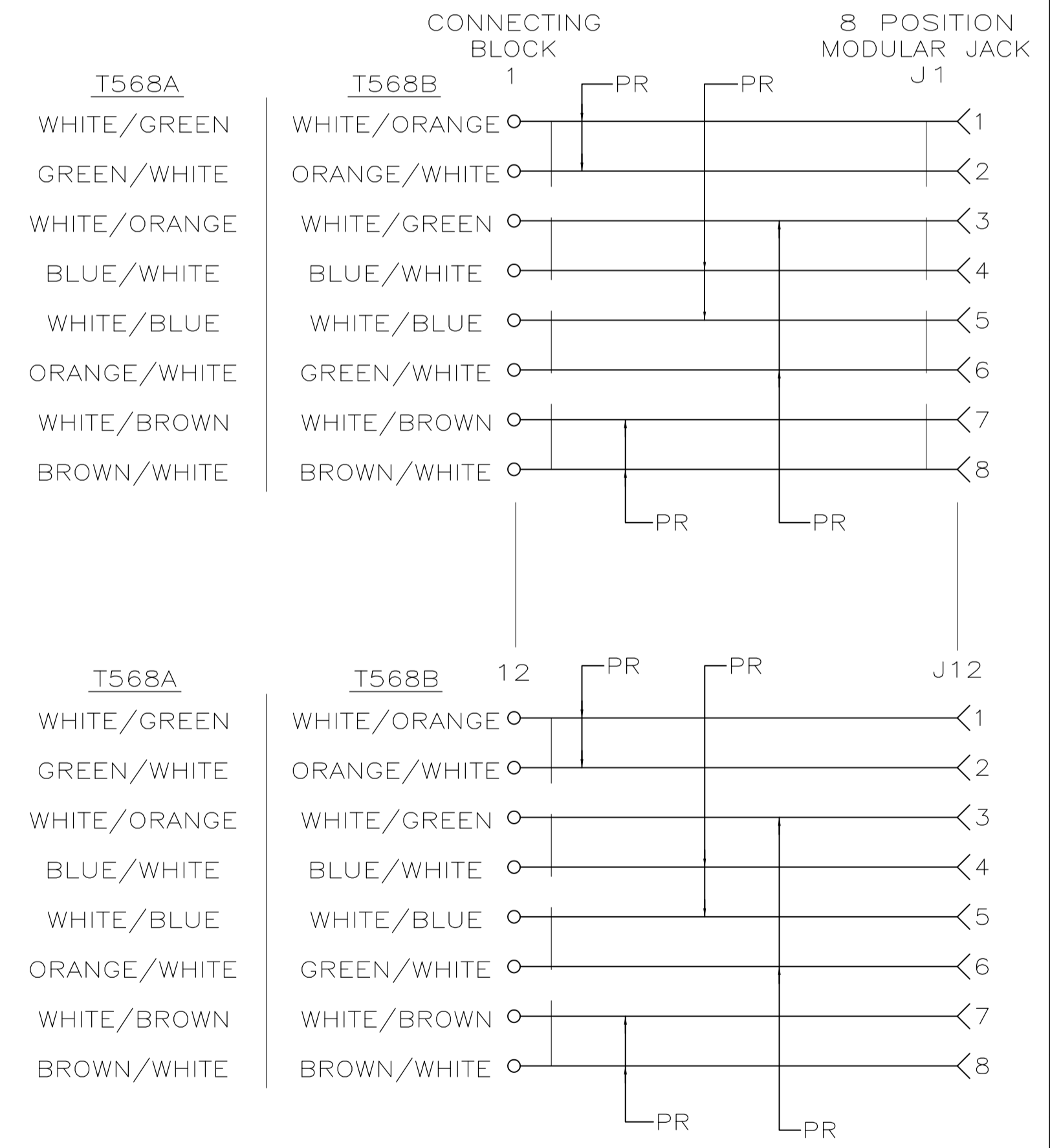
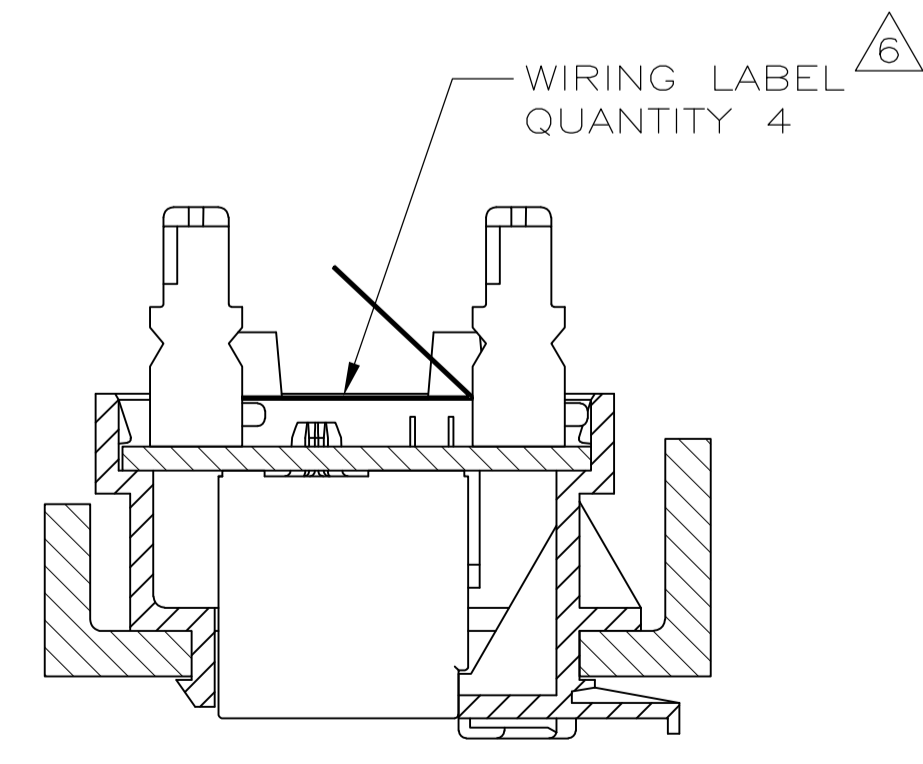
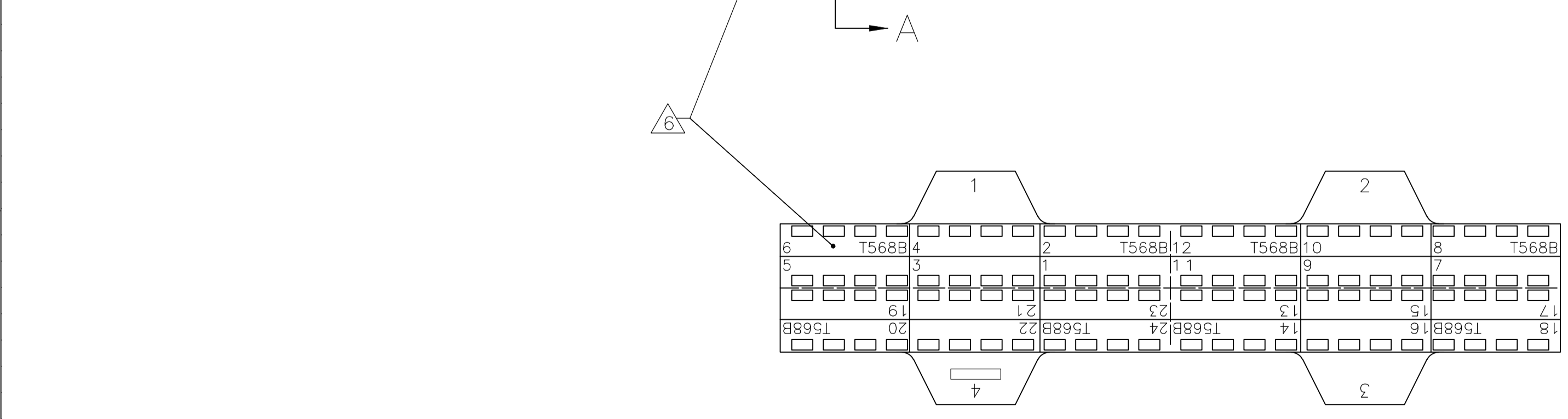
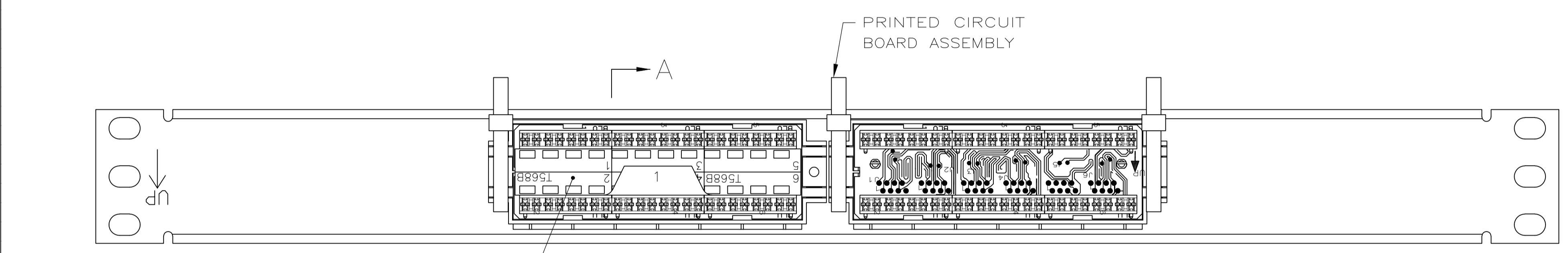
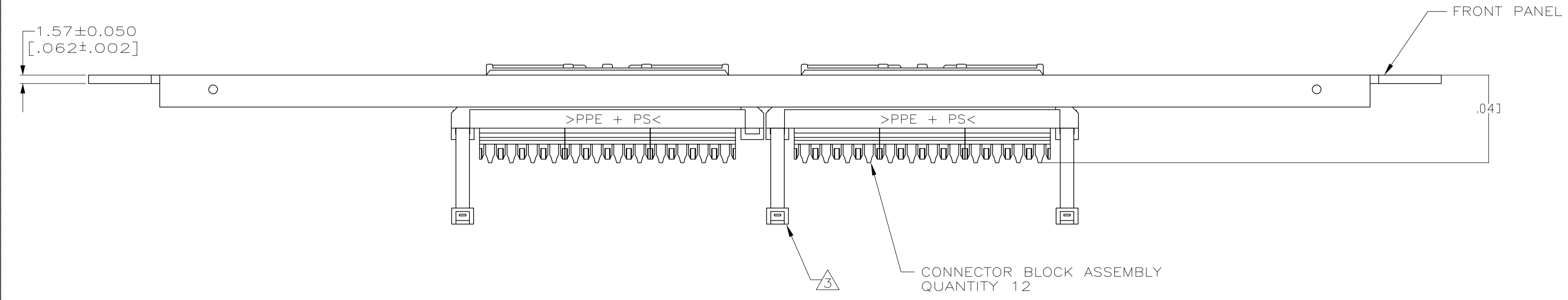
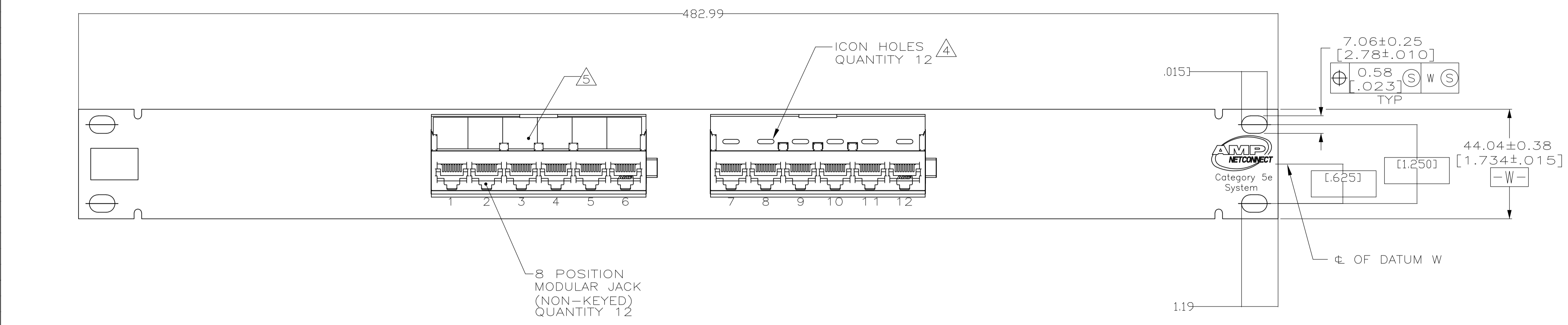


LOC		DIST		REVISIONS			
HM	00	F	LTR	DESCRIPTION	DATE	DMN	APVD
E	REV	EC0-10-010027			12MAY2010	LH	SH

1. MATERIAL: PANEL - BLACK POWDER COAT STEEL WITH WHITE MARKINGS.
 PRINTED CIRCUIT BOARD - LAMINATED PLASTIC SUBSTRATE, 1.57[.062] THICK.
2. MOUNTING HARDWARE INCLUDED EACH ASSEMBLY:
 FOUR, 10-32X50 TRILOBULAR SCREWS W/CAPTIVE STARWASHER.
 FOUR, 12-24X50 TRILOBULAR SCREWS W/CAPTIVE STARWASHER.
3. THREE RELEASEABLE CABLE TIES, SHOWN ASSEMBLED, USED FOR CABLE ORGANIZATION/ROUTING ARE SHIPPED LOOSE.
4. ICONS MAY BE PURCHASED SEPARATELY.
5. ONE SHEET OF BEZEL LABELS AND ONE SHEET OF CLEAR LABEL COVERS ARE SHIPPED LOOSE. ONE LABEL SHOWN INSTALLED AT LOCATION INDICATED.
6. ONE SHEET OF FOUR 110 CONNECTOR UNIVERSAL WIRING LABELS ARE SHIPPED LOOSE. ONE SIDE IS FOR T568A WIRING AND THE OPPOSITE SIDE FOR T568B WIRING. ONE LABEL SHOWN INSTALLED AT LOCATION INDICATED.
7. DIMENSIONS IN [] ARE IN INCHES.



T568B SIDE
 110 CONNECTOR UNIVERSAL
 WIRING LABELS

SECTION A-A
 ROTATED 90° CCW
 SCALE 2:1

THIS DRAWING IS A CONTROLLED DOCUMENT.		DIN L. HALL 16AUG00	Tyco Electronics Corporation Harrisburg, PA 17105-3608
DIMENSIONS: mm [INCHES]		CHK S. HERNDON 16AUG00	
TOLERANCES UNLESS OTHERWISE SPECIFIED:		APVD S. HERNDON 16AUG00	NAME
0. PLC ± -	1. PLC ± -	2. PLC ± -	3. PLC ± -
4. PLC ± -	ANGLES ± -	PANEL ASSEMBLY, 12 PORT RJ45 UNIVERSAL WIRING CATEGORY 5, ENHANCED, 19 INCH, CENTERED	
MATERIAL	FINISH	SIZE	CAGE CODE
		A1	00779
CUSTOMER DRAWING		DRAWING NO	RESTRICTED TO
		406981	
		SCALE 1:1	SHEET 1 OF 1
		REV	E